

PRIMA ENT

ENT MEDICAL DIAGNOSTICS



VISUALIZE EVERY ANGLE ON DEMAND



Fluid. Responsive. Accurate. These were a few of the principles guiding every phase in the design of the Prima ENT. With the choicest mechanical machined components, the Prima ENT has the grace and agility to adjust to every desired position on command. Well designed Apochromatic optics treated with LABOMED's proprietary *MaxLite™* coatings produce true-to-life sharp images with high depth, definition and contrast.

A highly efficient 50W LED illumination system produces over 60,000 hours of bulb life with Xenon-level light intensity, providing a bright white light for precision work. Housed within the swivel arm, this compact illumination ensures a light, well-balanced microscope for both hospitals and clinics.

A host of accessories makes the Prima ENT a versatile system. With a range of viewing tubes, objectives, eyepieces, microscope carriers and couplings, the Prima provides a convenient multi-user environment. The magnichanger microscope module can be controlled either manually or can be lifted with motorized focus.



Digital imaging is made simple with the LABOMED *Prima Proline Adapter series*, offering still capture and video solutions through cameras & smart phones.



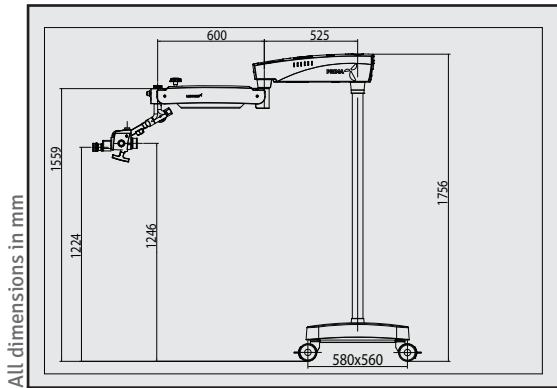
The Prima ENT can be mounted on a floor stand and moved from one room to the next for maximum utility. Or with a wall mount, the unit will utilize less floor space and can be folded neatly against the wall when not in use.



With the integration of electronics in the arm, the Prima ENT is compact. The system is engineered for perfect image clarity, fluid movement and overall balance.

PRIMA ENT

Observation tubes	Standard: Binocular straight viewing tube 90° Option: 0-210° Tilttable binocular tube
IPD	50-75 mm
Eyepieces	Standard: WF 10X/18 mm with eye guards and dioptre lock mechanism Option: WF 12.5X/18 mm with eye guards and dioptre lock mechanism
Dioptre Adjustment	± 5 mm
Magnichanger	Apochromatic 5 step: 0.4X, 0.6X, 1.0X, 1.6X and 2.5X * <i>MaxLite</i> coated
Objective	Standard f: 250 mm focusable; Options: f: 200 mm focusable; f: 300 mm focusable & f: 400 mm focusable <i>NuVar™</i> 7: f 290-360 mm WD: 200-270 mm <i>NuVar™</i> 10: f 300-400 mm WD: 220-320 mm <i>NuVar™</i> 20: f 295-495 mm WD: 200-400 mm
FOV	66-10.6 mm
Magnification Range	2.7x-17.0x
Fine focus	Manual, through objective adjustment knob option: Motorized through foot control, range 40 mm
Light source	50W LED, 100-240V
LUX	125K
Maximum Wattage	200 Watts
Color Temperature	6500K
Built-in filters	Green and Yellow
Vertical movement of arm	550 mm with power saver light cut off at park position
Microscope carriers	120° carrier
Optional accessories	Beam splitter, Rotoplate, Double Iris, Low height Ergo view, <i>ProLine</i> range of camera adapters & Smart phone adapters Assistant binocular attachment



DESCRIPTION	CONFIGURATION	CATALOG NO.
Prima ENT	Basic	6137000
Prima ENT	Motorized fine focus	6137000-100



Labo America, Inc.
920 Auburn Court
Fremont, CA 94538

Tel: (510) 445-1257
Fax: (510) 445-1317
E-mail: sales@laboamerica.com

www.laboamerica.com



Distributor